

VI、 Repair warranty

1. The guarantee period of paper-cutting machine is one year.
You should register in maintenance station within one month after you buy the machine, in order to establish maintenance file.
2. Maintenance service scope:
 - ① Supply the service of installation, adjustment, operation, training, periodic maintenance, elimination of error in normal operation and repair.
 - ② Supply to change parts damaged in normal operation; maintain motor and circuit for one year; knife shim and blade belong to expendable supplies, so they are excluded from the maintenance scope.
3. Maintenance should be undertaken by the local sales agency.
4. We won't undertake the maintenance and accessories diversion fees caused by conditions below:
 - ① Damage caused by accident, wrong operation or intent disassembling.
 - ② Repaired by stations not authorized by our company, or use dependable materials and accessories not required by our company.
 - ③ The customer doesn't register in the maintenance station within one month after he buys the machine.
 - ④ The machine is damaged because of oil lack, oil in or water inflow.

Foreword

Thank you for your choice of our PrecisePaper Cutting Machine series. We will provide you with good quality and reliable post-sale service. On the basis of original products, our research and develop engineers combined advantages of products at home and abroad, and finally developed new model of Precise Paper Cutting Machine. It owes high technology, precise construction designation, and elegant appearance, with the security control part and cutting precision improved. It can be broadly used in printing centers and offices. It is the most ideal cutting machine which well complies with office automation system.



Warning: this kind machine is allowed to cut printed paper or books or soft leathers only.

It is forbidden to cut any metal sheets or other hard objects do harm to the machine quality with kind machine.



Children must not operate this machine.



Do not reach beneath the blade



Do not extract or transport the blade without protection



Do not cut hard material or material which may splinter



Must use socket with ground wire connected

Note:In order to have more usage information of Numerical-controlled Paper Cutting Machine, you have to read this specification carefully first. This will help you improve your working efficiency, realize the machine's property, have the best cutting effects. This will also be good for the maintenance of the machine, and can prolong service life of the machine.

Safety Cautions

According to relevant standards, to avoid accident and accidental injury, only professional operators are allowed to use this machine (children or non-professional operators are forbidden to operate). When you use or maintain these machines, please pay high attention to safety cautions below:

● Settlement position

The weight of this kind machine is about 95~100KG(450V+/G450V+/450D/G450D)、115~117 KG(450VS+/G450VS+)、140~142(480VS+/G480VS+) , Please put it balanced and in a clean place.

● Power

Please connect with the power source correctly in accordance with the specification. The power source should be steady AC220V (110V) .50Hz (60Hz) .2KW, and the machine will run irregularly if the voltage is too high or too low. We suggest you use alternating current (AC) power source with steady voltage to improve your working efficiency.

● Ground connection

For safety you should use electric supply socket with ground wire connected.

● Supercharge

Please don't connect many electrical products on one electric supply socket, because supercharge may cause a fire or an electric shock.

● Cleanness

Before you clean or maintain the machines, you must cut off the electric source and pull out the electric supply socket.

2、450VS+/G450VS+/480VS+/G480VS+ Common error and elimination

Error	Phenomena	Elimination method
No power source display	Indicating light is off	1.Check the power source plug 2.Check main switch 3.The power source wire is bad
Incomplete cutting	Paper can't be cut completely	1.The blade abrades badly 2.The knife position is too high. Revolve the screw of adjusting blade depth on the blade carrier downward to have the knife position lower.
Too deep cutting	Slash on the knife strip it too deep	The knife position is too low. Revolve the screw of adjusting blade depth on the blade upward to have the knife position higher.
Dull blade	Paper can't be cut completely or cutting becomes difficult	1.Sharpen the blade: Use whetstone to sharpen or ask professional factory to do sharpening; 2.Change a new blade
Capacitor of electrical motor damaged	The knife work up and down slowly or powerlessly	Change Capacitor
Irregular paper-cutting or too big difference	The cut paper has one side wide and the other side narrow, or has big deviation on dimensions	Loose tighten screw, and use a ruler to adjust the angle between measuring scale and paper-pushing plate
The knife can't reset or works up and down continuously	The button is invalid. The blade works up and down without stopping	1. The sensor is displaced or damaged. 2.Circuit main panel is damaged
The window can't display or display wrong or can't check	Normal buttons of power source are invalid	Check display board, main board of the electrical equipment, and circuit parts
Digital-controlled circuit damaged	Paper-pushing part can't work	1.Check stepping motor, driver 2. Check whether the circuit of main board is damaged.
If can not cut (only for cover series)	The front cover lock is unlocked or front cover does not cover well	1.Check if the safety lock is good 2.Check if the guard is covered well
The platform has foreign bodies and alarm (only for safety guage series)	Button is not available so it can not cut	1.Check if the safety IR guage is good 2.Check if the main board is damaged

V、 Common error and elimination

1、 450V+/G450V+/450D/G450D Common error and elimination

Fault	Sign	Solution
No power display	The light does not shine	1.Check the power supply socket; 2.Check if the switch is good; 3.Check if the power line is intact.
The blade is not in place	Paper cannot be cut off	1.Check if the blade is serious wear; 2.If the blade position is too high , downward rotate the adjustment depth screw at the upper end of the blade holder to make the blade come down.
The blade position is too low	The cutter traces of stick is too deep	1.If the blade position is too low, upward rotate the adjustment depth screw at the upper end of the blade holder to make the blade come up.
The blade is blunt	The paper can not be cut off and it is hard to cut paper	1.To grind the blade: To grind the blade by using an oilstone grinding or professional grinding; 2、 To replace a new blade
The platform has foreign bodies and alarm (only for safety guage series)	Button is not available so it can not cut	1.Check if the safety IR guage is good 2.Check if the main board is damaged
The motor capacitor is damaged	The blade moves up and down slowly or is unable to work	To replace a capacitor
Paper cutting is not neat or the cutting size is not accurate	The cutting paper side has different width or the cutting size has large deviation	The backgauge position offset. To relax the fastening screw with a ruler adjusting the ruler and the pushing board angle.
The blade can not return or works up and down continuously	All the button is invalid and can not control the blade.	1. The sensor' s position moves or was damaged. 2.The main board has been damaged
If can not cut (only for cover series)	The front cover lock is unlocked or front cover does not cover well	1.Check if the safety lock is good 2.Check if the guard is covered well

Contents

I、 Safety cautions before installation

1、 Open the machine and check.....	4
2、 Settlement of the machine.....	4
3、 Operating environment.....	4
4、 Special suggestions.....	4

II、 Brief introduction of the paper-cutting machine

1、 Parts description of the paper-cutting machine.....	5
2、 Operating panel.....	7
3、 Principal technical parameter.....	8
4、 Performance features.....	8

III、 Basic operation and basic adjustment

1、 Basic operation.....	9
1-1 Start the machine.....	9
2、 basic adjustment.....	13
2-1 Dimension check and adjustment.....	13
2-2 Cutting power adjustment.....	13
2-3 Knife blade change.....	13
2-4 Cutting stick adjustment.....	14

IV、 Lubrication and Maintenance

1、 Lubrication.....	14
2、 Maintenance.....	15
3、 Attached figure.....	15

V、 Common error and elimination.....18

VI、 Maintenance warrants.....20

I、 Safety cautions before installation

1. Open the machine and check

When you open the package of the machine, firstly you should check the machine and relevant accessories. Please contact the seller or our company if there is any damage or shortage.

Main unit one set	Machine chassis one set	Specification one piece
Tooling one set	Rubber under chassis two pieces	Certificate one piece
Stick one piece	Screw stem four pieces	Maintenance warrant one piece

2. Settlement of the machine

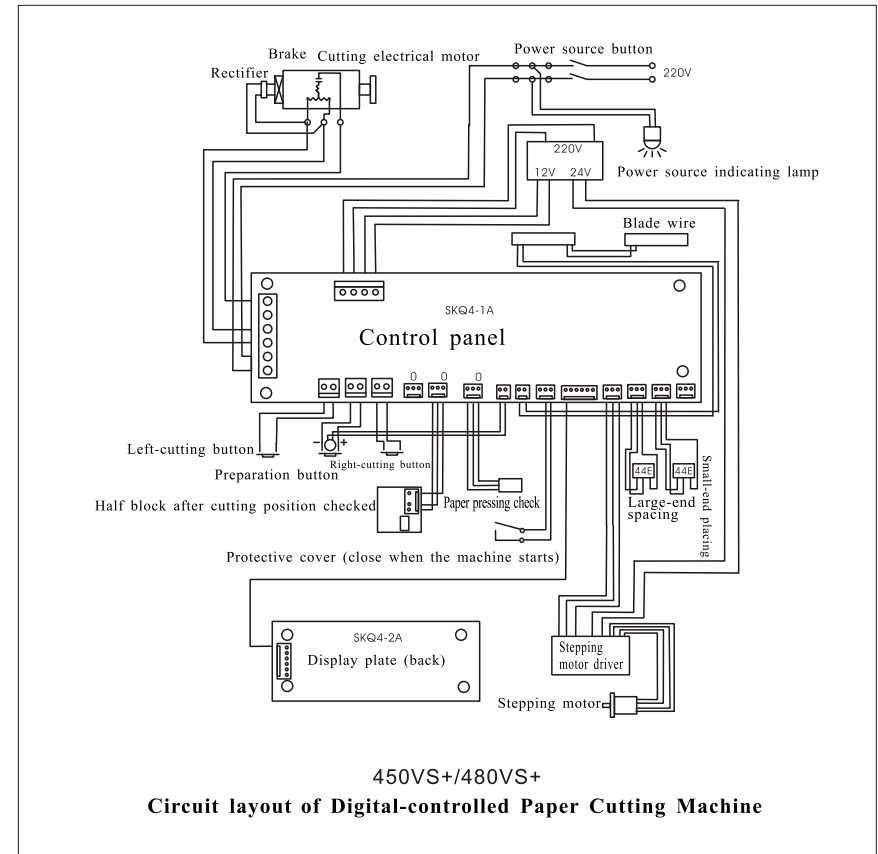
- Open the wooden crate, take out the machine casing, and discharge four M8 screws on the base plate of the main machine;
- The machine casing needs to assembly, and the screws should be fixed firmly;
- The main unit should be put on the machine casing correctly;
- Check all parts of the machine, and clean them;
- Turn on the power to electrify to test running.

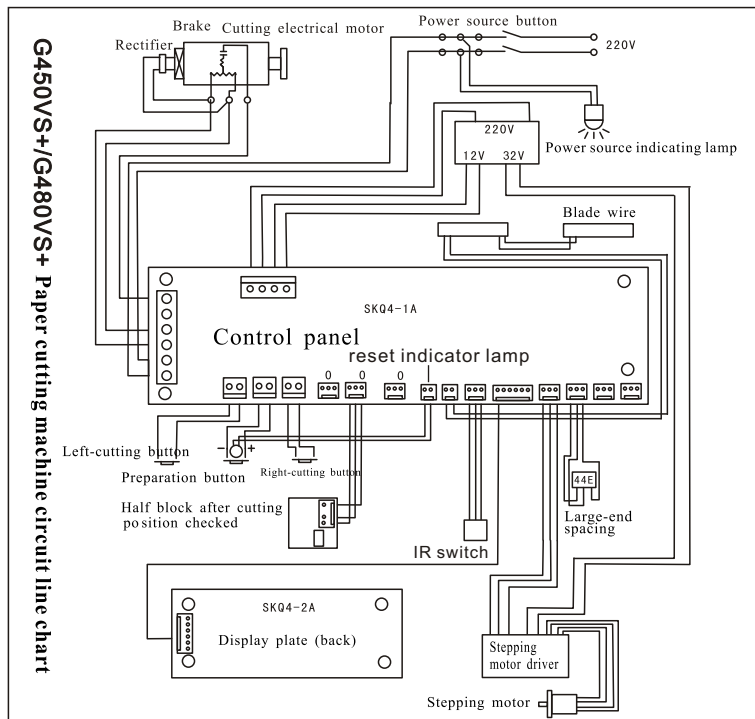
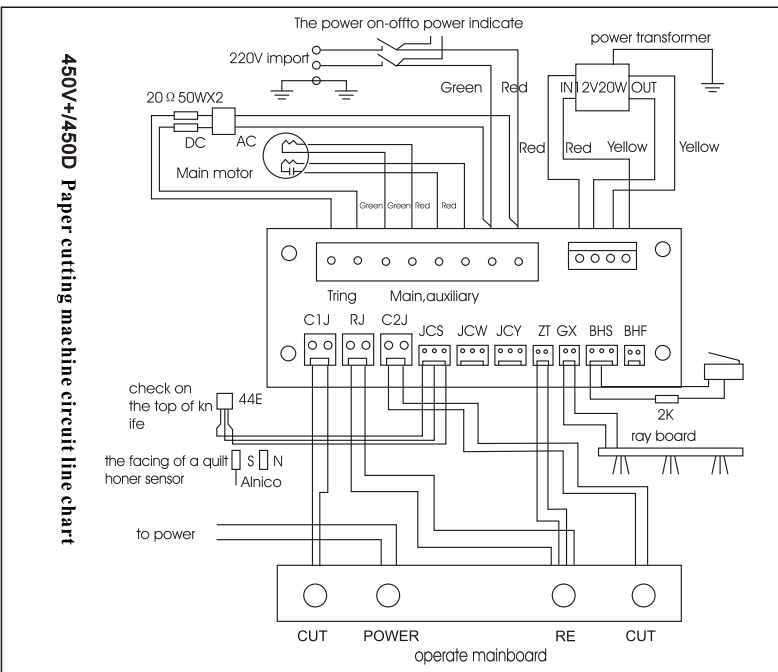
3. Operating environment

- The machine should be placed in clean working environment, keep away from direct sunlight and wind;
- Temperature of the operating environment: 10-30°C, cannot higher than 32°C;
- Humidity level of the operating environment: 50-80%;
- Working power source of the machine: 220V(110V)±10%; 50Hz(60Hz); 2KW;
- Connect the ground wire correctly.

4. Special suggestions

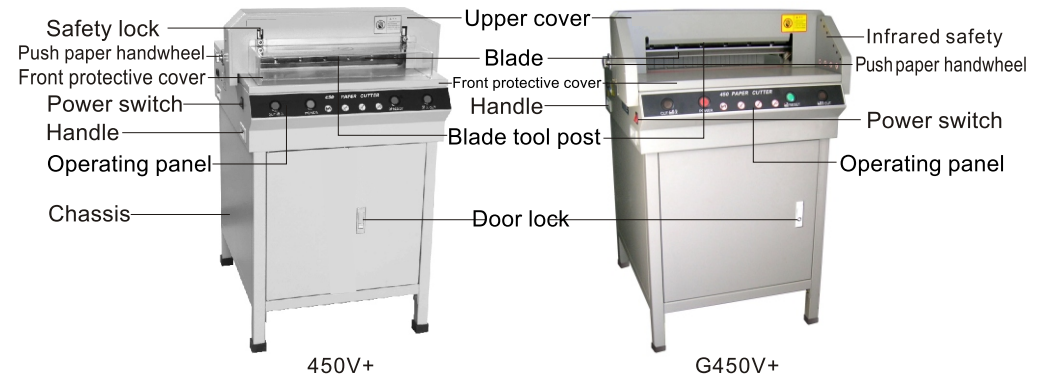
- Remember, only one professional operator is allowed to work on the machine;
- When you cut, you should operate buttons by both of your hands;
- Please don't disassemble the safety covering;
- When you put your hands or other things into the cutting area, you must cut the power first;
- When you change knife blades, you should firmly comply with the blade changing instruction;
- You are not allowed to re-equip the inner construction and circuit of the machine by yourself.



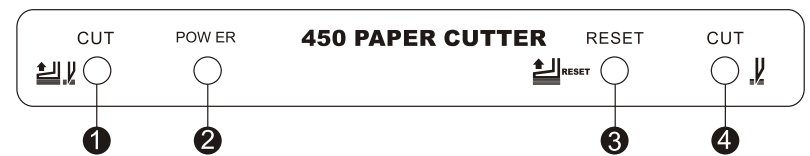


II、The introduction of paper cutting machine

1、450V+/G450V+/450D/G450D Parts description

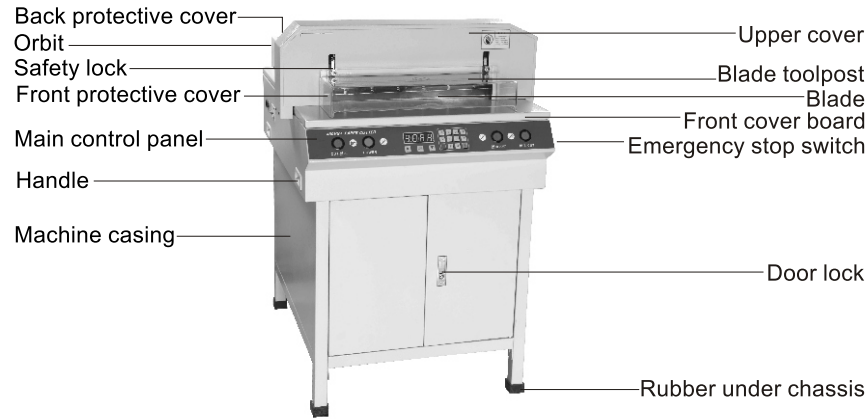


1-1、Operating panel

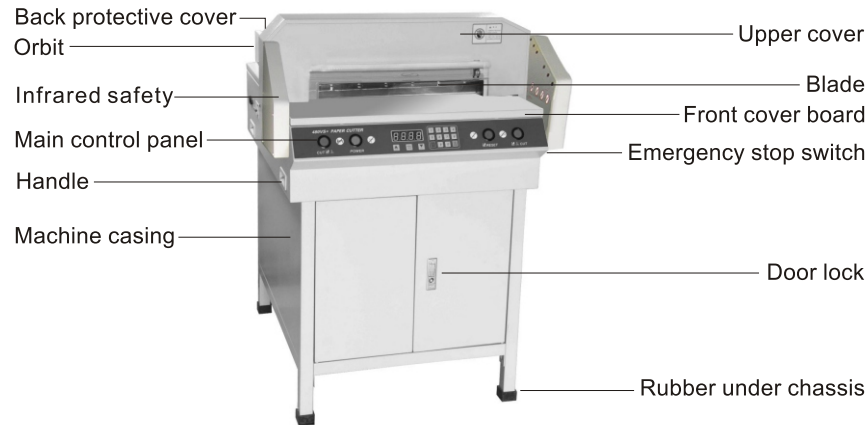


- ① CUT Cut button
- ② POWER Power indication
- ③ RESET Reset button
- ④ CUT Cut button
- ① + ④ Press paper before cutting
- ① + ③ Press paper jack return

2、450VS+/G450VS+/480VS+/G480VS+ Parts description



450VS+/480VS+



G450VS+/G480VS+

IV、Lubrication and Maintenance

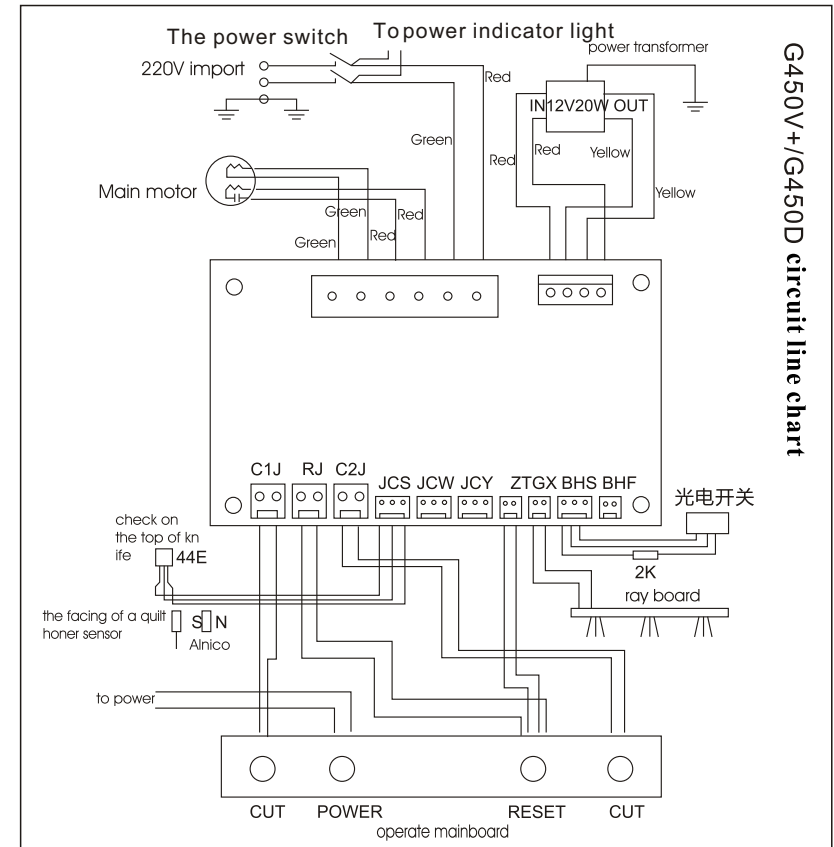
1.Lubrication

Every three month,you should open the brace plate of the machine, check and clean, tighten parts, and use lubricating oil to rolling parts. When you do lubrication, be careful to avoid lubricating oil dripping on the wires or electrical parts. The speed reduction box needs to be cleaned and lubricated once a year.

2.Maintenance

- 1) When the machine is running, foreign objects are forbidden to put on the machine, because if hard objects come under the blade, the blade will be damaged. There should be no staple pin in the book, which is coming to the cutting area, to avoid damaging the blade.
- 2) After everyday work, you should wipe the machine, remove junk, wax the blade to protect it, and cut the power.

3.Attached figure



⚠ When you install the blade, you should loose the screw of adjusting blade depth on the blade carrier ,then screw up the screw stems, and fix up the blade to blade carrier. After that ,make screw strip be fasten and fix up one by one, then adjust according to cutting depth adjustment method;

⚠ Blade sharpening needs to be done in a professional factory,so that to ensure the quality.

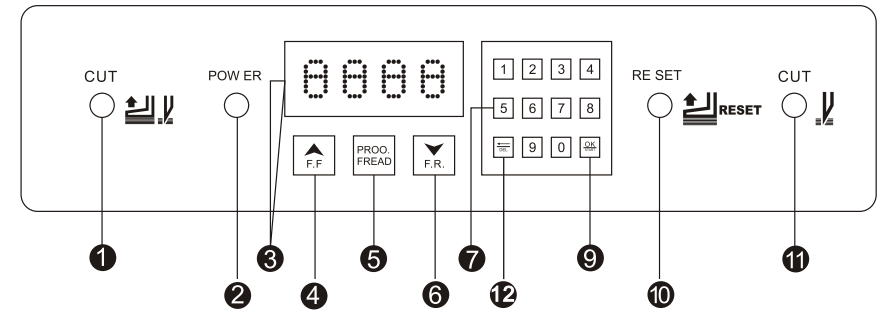
Note: To avoid any injury, you must be the most careful when you change the blade.

2-4 Cutting stick adjustment

- One cutting stick can be used for 8 times;
- When slash on the shim is too deep, you should adjust or change knife strip;
- Cutting stick can be took out by screw, and should be assembled onto the cutting desk flatly when it needs to be set back;
- Cutting stivk should lean to the left side, then re-push the front brace plate;

Note: When cutting stick is being changed, the blade itself also needs to be adjusted. If the blade cuts too deep, the cutting stick will be damaged easily, and also the blade will abrade rapidly.

2-1 Operating panel



- | | | |
|---------|------------------------|----------------------|
| ① CUT | CUT Cut button | ⑥ Fast return key |
| ② POWER | Power indication | ⑦ Number-set key |
| ③ | Digital display window | ⑨ OK/start key |
| ④ | Fast forward key | ⑩ RESET Reset button |
| ⑤ | Adjust key | ⑪ CUT Cut button |

① + ⑪ = Press paper before cutting

① + ⑩ = Press paper jack return

⑫ Reset button for pushing paper

Long press the ⑫ reset button for pushing paper for 5 minutes to switch metric between inch

3、 Main technical data

Model \ Specification	450V+	450D	450VS+	480VS+
Cutting width(mm)	450	450	450	480
Cutting thickness	40	40	40	50
Paper pressing structure	Automatic	Manual	Automatic	Automatic
Paper pushing mode	Manual	Manual	Numerical control	Numerical control
Safety protection	Front cover			
Power supply	800W	800W	900W	1000W
Machine Measurement(H*D*W)	1020X760X670mm	1040X760X670mm	1020X780X670mm	1070X860X740mm
Net weight	95kg	98kg	115kg	140kg

Model \ Specification	G450V+	G450D	G450VS+	G480VS+
Cutting width(mm)	450	450	450	480
Cutting thickness	40	40	40	50
Paper pressing structure	Automatic	Manual	Automatic	Automatic
Paper pushing mode	Manual	Manual	Numerical control	Numerical control
Safety protection	Infrared photoelectric			
Power supply	800W	800W	900W	1000W
Machine Measurement(H*D*W)	1020X760X670mm	1040X760X670mm	1020X780X670mm	1070X860X740mm
Net weight	95kg	98kg	115kg	140kg

4、 Characteristics of digital cutting machine:

- Whole machine stander manufactured in good quality;
- Manual spindle clamp with hand wheel (Only for 450D/G450D);
- Precise numerical-controlled circuit design
- Designed with CE standard, front protection cover conform to safe system (Only for 450D 450V+ 450VS+ 480VS+);
- IR grating protective circuit design(Only for G450D/G450V+/G450VS+/480VS+)
- Optical cutting line;
- Fashion able appearance design with patented.
- Widen operation table , appearing capacious working space(Only for G450V+/G450VS+)

2、 Basic adjustment

1.Dimension check and adjustment

- Cut the electricity power;
- Check whether there is any foreign matter on the guiding rod;
- Pull out the front covering strip, and check stepping motor, to see whether the synchronous pulley and synchronous belt are fixed normal;
- Adjust the support chip on the screw, and you can move it back and forth until digital display dimension matches measuring scale dimension, then lock the retaining screw firmly.

2.Cutting power adjustment

- Cut the electricity power;
- Disassemble retaining screws on both sides of the upper cover, and then take the upper cover away;
- Loose seven M6 fasten screws on the blade which is on blade carrier, and adjust screws of adjusting blade depth on blade carrier, until the blade cuts into cutting stick about 0.3-0.5 mm;
- Tighten up fasten screws on blade carrier, put on the upper cover, then fix up;
- Choose one piece of paper to have a trial cut. If it cannot be cut completely, you can readjust according to the processes above.

3.Knife blade change

Note: Dull blade can't cut paper correctly. Also, blade will become dull if it always cuts thick paper or pasteboard. If cutting quality and accuracy can't meet required standard, the blade needs to be changed. Your work will go smoothly if you always have one replacement on hand. When you need to change blade, you must operate according to the steps of blade change instruction.

- Open the upper cover;
- Loose the notched fasten screw on the blade carrier, revolve the two screw stems clockwise, and then fix up and lock firmly;
- Take away other fasten screws on the blade carrier;
- Revolve the two screw stems anticlockwise 180° , then take out the blade. Please wear gloves or use cotton cloth to wrap the blade to avoid scratch;

4)、450VS+/480VS+ Basic operation

4-1、Basic operation


Before operating, please review contents described before carefully. Then you can do operations below.

1-1 Start the machine


- Insert the power plug into AC220V(110V)/50Hz(60Hz) 4KW socket.
- Turn the protective switch to 'On' position. Turn on the power supply, the liquid crystal displays and indicative wiring of knife position is lighting, that means electricity connection is normal.
- Indication appears on display window. When knife indication light turns on first, it means the electrical power is properly connected.



1-2 Paper Pushing

- Push paper or book to be cut to the left side trimming with the gauge strip. Push buttons \cdot mm or \cdot inch, the paper pusher will advance or retreat to required
- paper cutting position. The displayed dimension digits shall be identical to the gauge graduation dimension.
- Press numeric button to input the numeric. Then press button  and the paper pusher will move to the required cutting dimension automatically.
- The digitally displayed dimension shall be identical to the gauge graduation dimension.



Note: Press , Hold it in three seconds until displaying mm/inch mode

1-3 Cutting paper

- Get ready for cutting after cutting dimension is properly adjusted.
- LED turn red after pressing reset button. Then the light for indicating knife position is on.
- Operation of one-way paper press reference for operating panel
- Follow operating panel before Cutting
- If it is found that the last piece of paper is not cut apart, please adjust according to the method of Cutting Knife Adjustment'.



※ **Note:** If the front protective cover has not been put down completely, cut buttons can not be operated.

III、 Basic operation and basic adjustment

1、 G450V+/G450D Basic operation

Before operating, please review contents described before carefully. Then you can do operations below.

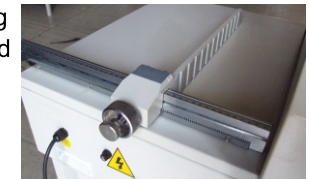
1-1 Start the machine

- Insert the power plug into AC220V/50HZ 4KW socket.
- Turn the protective switch to 'On' position. Turn on the power supply, the liquid crystal displays and indicative wiring of knife position is lighting, that means electricity connection is normal.



1-2 Paper Pushing

- Open the front protective cover, push paper or book to the left side aligned with the measuring scale.
- Rotate the hand wheel to the required cutting size, then tighten screw for pushing paper
- Manual spindle clamp with hand wheel (Only for G450D);
- If the cutting size does not comply with measuring scale marks, please adjust according to the method in diameter check and adjustment



1-3 Cutting paper

- When the cutting dimension is adjusted, please put down the front protective cover;
- Press the Reset key, then the indication red light and knife position indicating line on;



- Press the Cut buttons by two hands. You can start operation first to make sure that paper has been pressed firmly by the paper press jack. If you need to have the paper press jack turn back, you can press the Cut button by left hand and press Reset button by right hand, then the paper press jack will turn back automate. If you need to cut, press the Cut button by two hands, and then cutting procedure finish;



2) 、 450V+/450D Basic operation

1、 Basic operation

Before operating, please review contents described before carefully. Then you can do operations below.

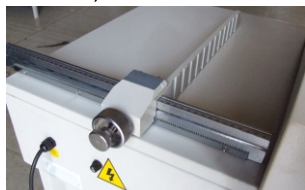
1-1 Start the machine

- Insert the power plug into AC220V/50HZ 4KW socket.
- Turn the protective switch to 'On' position. Turn on the power supply, the liquid crystal displays and indicative wiring of knife position is lighting, that means electricity connection is normal.



1-2 Paper Pushing

- Open the front protective cover, push paper or book to the left side aligned with the measuring scale.
- Rotate the hand wheel to the required cutting size, then tighten screw for pushing paper
- Manual spindle clamp with hand wheel (Only for 450D);
- If the cutting size does not comply with measuring scale marks, please adjust according to the method in diameter check and adjustment



1-3 Cutting paper

- When the cutting dimension is adjusted, please put down the front protective cover;
- Press the Reset key, then the indication red light and knife position indicating line on;



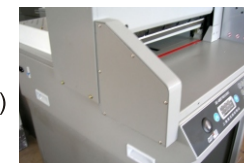
- Press the Cut buttons by two hands. You can start operation first to make sure that paper has been pressed firmly by the paper press jack. If you need to have the paper press jack turn back, you can press the Cut button by left hand and press Reset button by right hand, then the paper press jack will turn back automate. If you need to cut, press the Cut button by two hands, and then cutting procedure finish;



3) 、 G450VS+/G480VS+ Basic operation

1-1 Start the machine

- Insert the power plug into AC220V(110V)/50Hz(60Hz) 4KW socket.
- Turn the protective switch to 'On' position. Turn on the power supply, the liquid crystal displays and indicative wiring of knife position is lighting, that means electricity connection is normal.
- Indication appears on display window. When knife indication light turns on first, it means the electrical power is properly connected.



1-2 Paper Pushing

- Push paper or book to be cut to the left side trimming with the gauge strip. Push buttons \leftarrow mm or \rightarrow mm, the paper pusher will advance or retreat to required
- paper cutting position. The displayed dimension digits shall be identical to the gauge graduation dimension.
- Press numeric button to input the numeric. Then press button \leftarrow OK Start and the paper pusher will move to the required cutting dimension automatically.
- The digitally displayed dimension shall be identical to the gauge graduation dimension.



Note: Press \leftarrow DEL, Hold it in three seconds until displaying mm/inch mode

1-3 Cutting paper

- Get ready for cutting after cutting dimension is properly adjusted.
- LED turn red after pressing reset button. Then the light for indicating knife position is on.
- Operation of one-way paper press reference for operating panel
- Follow operating panel before Cutting
- If it is found that the last piece of paper is not cut apart, please adjust according to the method of Cutting Knife Adjustment'.



※ Note : If the infrared protection is working or something is in the cutting area, cutting is not going on.